



A Brand of Heatcraft Refrigeration Products
 2175 West Park Place Boulevard
 Stone Mountain, GA 30087
 800.537.7775
 www.larkinproducts.com

LDT1000L6D
Discus™
Air-cooled

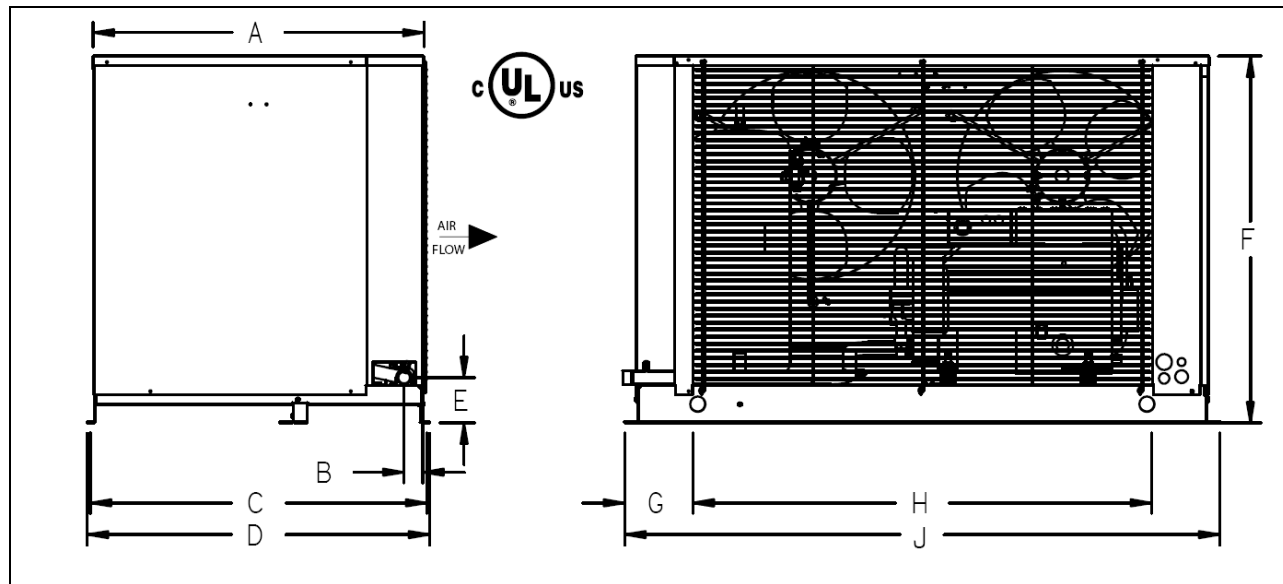
Project:	QUOTATION: Item No: 1
Location: ,	Submitted by:
Customer:	
Identity #:	<input checked="" type="checkbox"/> For Record By: _____
Tag:	<input type="checkbox"/> For Approval Date: _____

PHYSICAL & ELECTRICAL DATA

REFRIGERANT	COMPRESSOR		CONNECTIONS (inches)		RECEIVER CAPACITY (90%)	NET WEIGHT	SOUND DATA	ALTITUDE	AMBIENT TEMP
	Model No.	HP	Liquid	Suction					
R404A/R507	3DS3F46KE	10	5/8	1 3/8	67	1035	82	0 ft.	95°F

POWER SUPPLY	COMPRESSOR		FAN MOTOR			MCA†		MOP‡		Evap. Fan Amps	Defrost Heater Amps
	Volts / Ph / Hz	RLA	LRA	QTY	HP	FLA	Air	Elec.	Air		
460/3/60	16.7	106	2	1/3	3.8	24.6	43.8	40	50	13	35

†MCA=Minimum Circuit Ampacity
 ‡MOP = Maximum Overcurrent Protection



DIMENSIONS (inches)								
A	B	C	D	E	F	G	H	J
35.375	2.000	36.000	36.750	4.875	39.250	7.250	49.000	63.750



A Brand of Heatcraft Refrigeration Products

2175 West Park Place Boulevard
 Stone Mountain, GA 30087
 800.537.7775
 www.larkinproducts.com

LDT1000L6D
Discus™
Air-cooled

Project:	QUOTATION:
Location: ,	Submitted by:
Customer:	
Identity #:	<input checked="" type="checkbox"/> For Record By: _____
Tag:	<input type="checkbox"/> For Approval Date: _____

DIMENSIONS (inches)						
K	L	M	N	P	R	S

CAPACITY (BTUH)						
40 °F SST	35°F SST	30 °F SST	25 °F SST	20 °F SST	15 °F SST	10°F SST
0	0	0	0	0	0	0

CAPACITY (BTUH)						
5 °F SST	0 °F SST	-5 °F SST	-10 °F SST	-15 °F SST	-20 °F SST	-25 °F SST
0	78620	71750	64870	58280	51680	45730

CAPACITY (BTUH)						
-30 °F SST	-35 °F SST	-40 °F SST				
39780	34850	29910				

SST = Saturated Suction Temperature

STANDARD FEATURES

- | | |
|--|---|
| <ul style="list-style-type: none"> Cabinet & Construction: <ul style="list-style-type: none"> Painted steel cabinets Removable grill for access to all serviceable parts Large electrical panel located out of air stream Base valve and high & low pressure taps on outside of unit Fixed high and adjustable low pressure switches Sight glass Head pressure valve on all outdoor units Sight glass and permanent liquid line filter Vertical receiver with dual isolation valves Piping is pre-bent to eliminate leaks Coil: <ul style="list-style-type: none"> Floating Tube™ coil design Completely leak tested in a helium environment | <ul style="list-style-type: none"> Compressor: <ul style="list-style-type: none"> Semi-hermetic and Scroll. R-22 and R-404A/507 available for both medium and low temperature applications Spring mounting with Discus® or Bitzer compressors Discharge line check valve with medium and low temperature Scroll® compressors Discharge line thermostat with medium temperature Scroll® compressors Liquid injection solenoid valve and capillary tube with low temperature Scroll® compressors Manual pump-down switch Suction and discharge vibration eliminators with Discus® or Bitzer compressors Crankcase heater Service Mate™ module for 230 V control circuits to assist in diagnostics and troubleshooting Sentronic oil failure switch with Discus® compressors |
|--|---|



A Brand of Heatcraft Refrigeration Products
 2175 West Park Place Boulevard
 Stone Mountain, GA 30087
 800.537.7775
 www.larkinproducts.com

LDT1000L6D
Discus™
Air-cooled

Project:	QUOTATION:
Location: ,	Submitted by:
Customer:	
Identity #:	<input checked="" type="checkbox"/> For Record By: _____
Tag:	<input type="checkbox"/> For Approval Date: _____

- Refrigeration-duty, rifled copper condenser tubing
- Fan Motors:
 - Rated for 50 and 60 cycle application
 - Standard PSC

OPTIONS

Mounted Options:

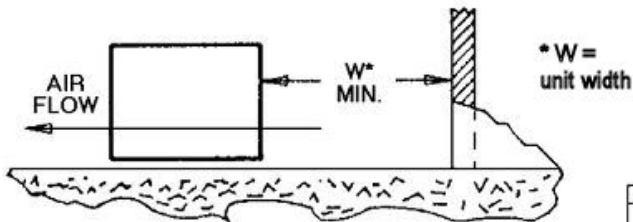
<input checked="" type="checkbox"/> Defrost Controls: Defrost Kit with 2 Contactors	<input checked="" type="checkbox"/> Suction Filter: Replaceable Core Suction Filter
<input checked="" type="checkbox"/> Misc:Suction Accumulator	<input checked="" type="checkbox"/> Misc:Insulated and Heated Receiver

Ship Loose Options:

None	
------	--

MINIMUM UNIT CLEARANCES

Walls or Obstructions for Horizontal Air Flow



Multiple Units with Horizontal Air Flow

